

Operating Instructions

Series FE9000 Fuel Hose Reels

Low Pressure Model Numbers:

FE9200 OLP

FE9300 OLP

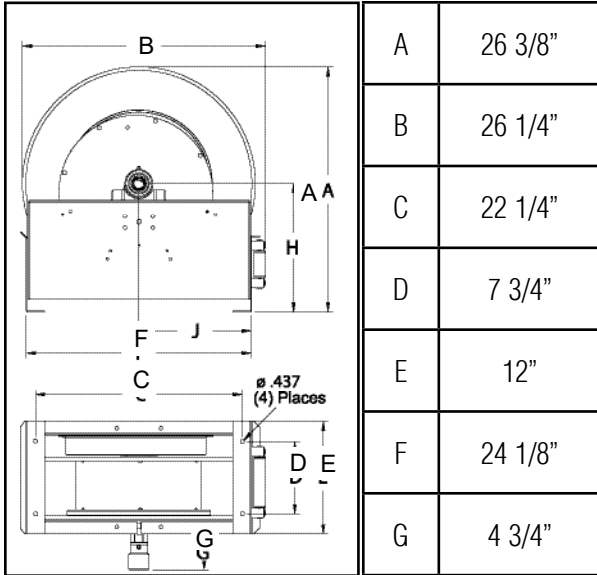
FE9350 OLP

FE9400 OLP

FE9450 OLP



Dimensions



SAFETY

1. Do not use reel at higher pressures or temperatures than listed on the back of this bulletin.
2. Remove all spring tension before beginning disassembly process.
3. Reel spring motor case is permanently sealed. Any attempt to remove the spring motor may cause serious injury.

INSTALLATION:

The swivel union is packed separately in the reel carton, use teflon tape to assure a satisfactory seal. A flexible hose connection must be used between the hose reel inlet and the source of supply to prevent possible misalignment and binding. Non flexible connections will void the warranty, pressure rating of inlet hose must be equal to or more than the pressure rating of the reel. Consult factory for proper spring when installing reels above 16 ft.

LUBRICATION:

Hose reel spring and bearings are factory lubricated and require no further lubrication.

REPLACING HOSE:

1. Wind spool flange clockwise-facing swivel-until spring is tight.
2. Back off three turns and latch.
3. Insert hose through roller guide.
4. Connect hose fitting to female outlet ell.

ADJUSTMENTS:

To adjust spring tension, add or remove wraps of hose from the spool, one wrap at a time until desired tension is obtained.

REPAIRS:

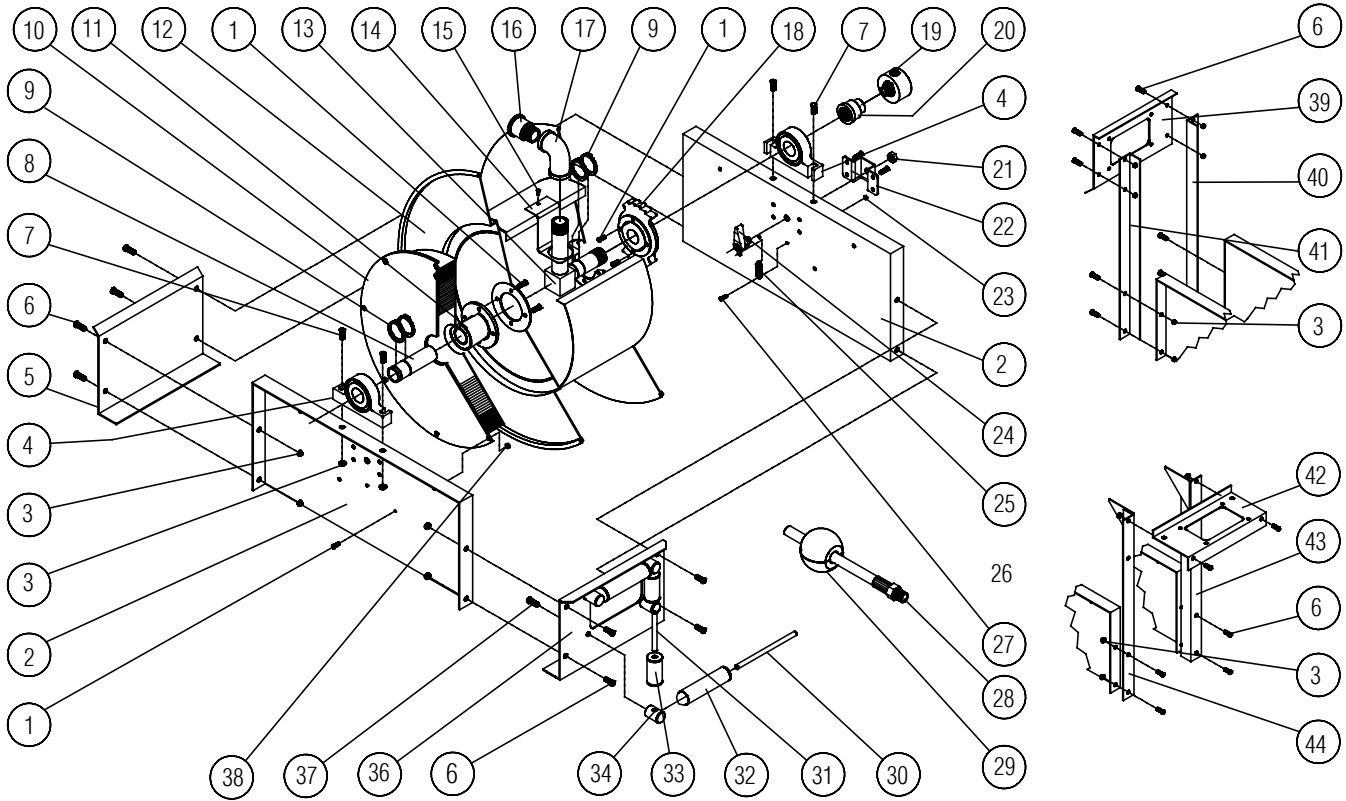
Extensive repairs should be performed only by an authorized serviceman or factory to avoid damage which may void your warranty. Remove all spring tension before beginning disassembly process.

MODIFICATION:

Hose latching mechanism can be removed for constant tension applications.

Form# 613-193A Rev: 6/2018

Series FE9000 Fuel Hose Reels



Item #	Description	# Req	FE9200 OLPBW	Item #	Description	# Req	FE9200 OLPBW
1	1/4-20 x 1/2" hex screw	16	S2-41	24	Latch pawl assembly	1	S600454
2	Side frame	2	270009	25	Latch spring	1	S260067-1
3	3/8-16 hex flange nut	12	S281-6	26	Latch bushing	1	S400012
4	Pillow block	2	S600416	27	10-32 x 7/8" screw	1	S20-110
5	End frame support	1	270012	28	Hose assembly	1	None
6	3/8-16 x 5/8" mach. screw	8	S44-2	29	Bumper stop assembly	1	None
7	3/8-16 x 1 3/4" screw	4	S44-8	30	Guide roller pin - long	2	S270016
8	Main shaft assembly	1	602377	31	Guide roller pin - short	2	S270015
9	Snap ring	6	S140-34	32	Guide roller	2	262436-5.468
10	Spring case assembly	1	600413-1	33	Guide roller	2	262436-2.968
11	Spring arbor	1	260888	34	Guide roller post	4	S270014
12	Spool assembly	1	600415	36	Hose guide roller plate	1	270011
13	Inlet tube	1	602364	37	5/16-18 x 1/2" hex screw	4	S2-51
14	Hose outlet support	1	270029	38	1/4-20 hex nut	8	S281-4
15	#10 x 3/8" self tap screw	1	S32-136	39	Guide roller plate SW	1	270045
16	Reducing bushing	1	300080	40	SW support bracket	1	270043
17	90° female NPT ell	1	270028	41	SW support bracket	1	270042
18	Latch ratchet	1	260889	42	Guide roller plate TW	1	270044
19	Swivel assembly	1	S600888-2	43	TW support bracket	1	270041
20	Reducing coupling	1	S289-5	44	TW support bracket	1	270040
21	1/2-20 hex flange nut	1	S280-8	--	Hose ID and length	--	None
22	Latch bracket	1	260934	--	Working pressure	--	500 PSI
23	10-32 x 3/8" nyloc nut	1	S82-15	--	Max. temperature	--	210 °F

Series FE9000 Fuel Hose Reels

Item #	Description	# Req	FE9300 OLPBW	FE9350 OLPBW	FE9400 OLPBW	FE9450 OLPBW
1	1/4-20 x 1/2" hex screw	16	S2-41	S2-41	S2-41	S2-41
2	Side frame	2	270009	270009	270009	270009
3	3/8-16 hex flange nut	12	S281-6	S281-6	S281-6	S281-6
4	Pillow block	2	S600416	S600416	S600416	S600416
5	End frame support	1	270012	270012	270012	270012
6	3/8-16 x 5/8" mach. screw	8	S44-2	S44-2	S44-2	S44-2
7	3/8-16 x 1 3/4" screw	4	S44-8	S44-8	S44-8	S44-8
8	Main shaft assembly	1	602377	602377	602377	602377
9	Snap ring	6	S140-34	S140-34	S140-34	S140-34
10	Spring case assembly	1	600413-1	S600413-2	S600413-2	S600413-2
11	Spring arbor	1	260888	260888	260888	260888
12	Spool assembly	1	600415	600415	600414	600414
13	Inlet tube	1	602364	602364	602364	602364
14	Hose outlet support	1	270029	270029	270029	270029
15	#10 x 3/8" self tap screw	1	S32-136	S32-136	S32-136	S32-136
16	Reducing bushing	1	270025	270025	None	None
17	90° female NPT ell	1	270028	270028	262451	262451
18	Latch ratchet	1	260889	260889	260889	260889
19	Swivel assembly	1	S602026-2	S602026-2	S600682-2	S600682-2
20	Reducing coupling	1	S289-6	S289-6	None	None
21	1/2-20 hex flange nut	1	S280-8	S280-8	S280-8	S280-8
22	Latch bracket	1	260934	260934	260934	260934
23	10-32 x 3/8" nyloc nut	1	S82-15	S82-15	S82-15	S82-15
24	Latch pawl assembly	1	S600454	S600454	S600454	S600454
25	Latch spring	1	S260067-1	S260067-1	S260067-1	S260067-1
26	Latch bushing	1	S400012	S400012	S400012	S400012
27	10-32 x 7/8" screw	1	S20-110	S20-110	S20-110	S20-110
28	Hose assembly	1	None	S600160-2	None	S600451-50
29	Bumper stop assembly	1	None	3-HR1005	None	4-HR1005
30	Guide roller pin - long	2	S270016	S270016	S270016	S270016
31	Guide roller pin - short	2	S270015	S270015	S270015	S270015
32	Guide roller	2	262436-5.468	262436-5.468	262436-5.468	262436-5.468
33	Guide roller	2	262436-2.968	262436-2.968	262436-2.968	262436-2.968
34	Guide roller post	4	S270014	S270014	S270014	S270014
36	Hose guide roller plate	1	270011	270011	270011	270011
37	5/16-18 x 1/2" hex screw	4	S2-51	S2-51	S2-51	S2-51
38	1/4-20 hex nut	8	S281-4	S281-4	S281-4	S281-4
39	Guide roller plate SW	1	270045	-----	270045	270045
40	SW support bracket	1	270043	-----	270043	270043
41	SW support bracket	1	270042	-----	270042	270042
42	Guide roller plate TW	1	270044	-----	270044	270044
43	TW support bracket	1	270041	-----	270041	270041
44	TW support bracket	1	270040	-----	270040	270040
--	Hose ID and length	--	None	3/4" x 50'	None	1" x 50'
--	Working pressure	--	500 PSI	*50 PSI	500 PSI	*50 PSI
--	Max. temperature	--	210 °F	150 °F	210 °F	150 °F

*Models equipped with fuel grade hose. UL330 and ULC approved hose. 250 PSI minimum burst.