

Operating Instructions

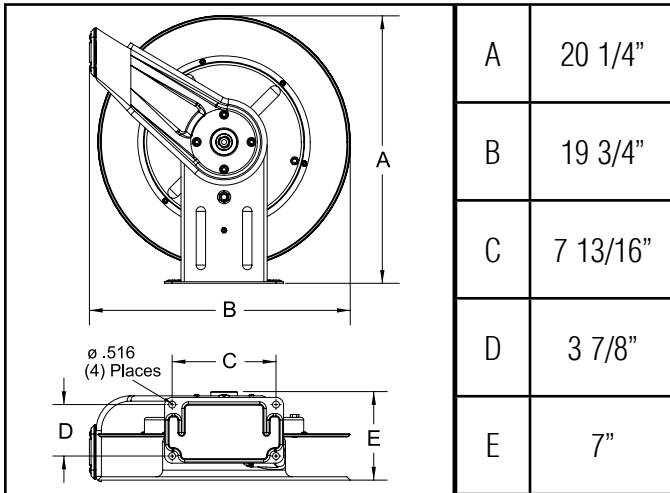
Series 7000 Spring Driven Hose Reels

Low Pressure Model Numbers:

[GC7535 OLP](#) [GC7925 OLP](#)



Dimensions



SAFETY

1. Do not use reel at higher pressures or temperatures than listed on the back of this bulletin.
2. Remove all spring tension before beginning disassembly process.

INSTALLATION: A flexible hose connection must be used between the hose reel inlet and the source of supply to prevent possible misalignment and binding.

MOUNTING: The hose reel is equipped with a universal mounting bracket so that it can be mounted on the floor, wall or ceiling; whichever place is convenient. The hose guide arm can be moved to the position desired by removing the screws fastening the guide bracket to the reel base. Shift the guide arm bracket so the hose comes off the reel at the desired position and replace the screws.

LUBRICATION: Hose reel spring and bearings are factory lubricated and require no further lubrication.

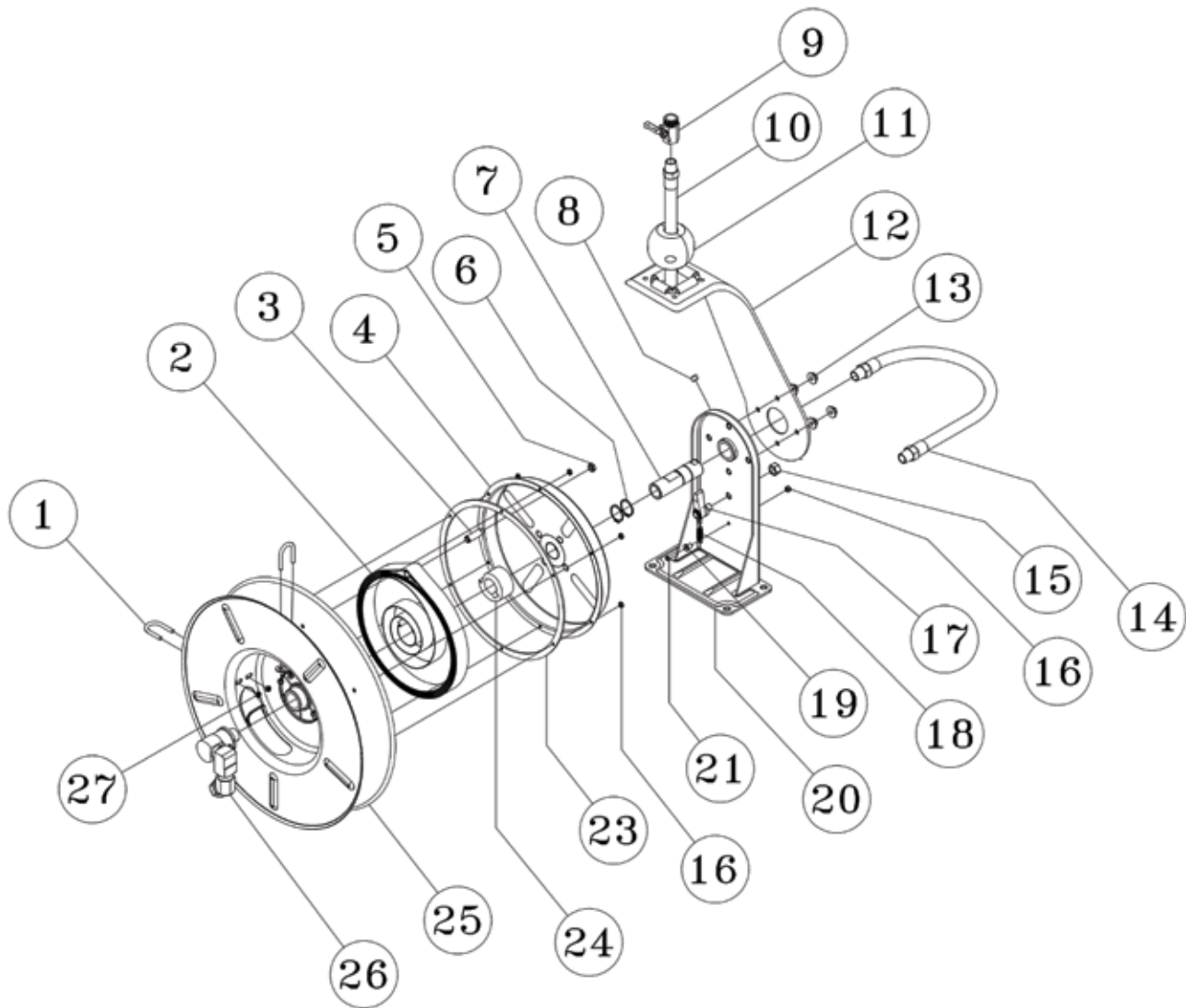
REPLACING HOSE:

1. Wind spool flange clockwise-facing swivel-until spring is tight.
2. Back off three turns and latch.
3. Insert hose through roller guide.
4. Connect hose fitting to swivel joint and secure hose with clamps.

ADJUSTMENTS: To adjust spring tension, add or remove wraps of hose from the spool, one wrap at a time until desired tension is obtained.

REPAIRS: Extensive repairs should be performed only by an authorized serviceman or factory to avoid damage which may void your warranty. Remove all spring tension before beginning disassembly process.

Form# 1137-203 Rev: 4/2018



Item #	Part #	# Req.	Description	Item #	Part #	# Req.	Description	Item #	Part #	# Req.	Description
1	5-117440	2	U-bolt	12	S600017	1	Guide Arm Assembly	20	S600016	1	Base Assembly
2	S260037	1	Drive Spring Assembly	13	300107	4	Lock Nut	21	S20-110	1	Machine Screw
3	S260031	1	Spring Case Stud	14	600830-10	1	Hose Assembly	23	S260069	1	Spring Case Gasket
4	S260074	1	Spring Case & Ratchet	15	S280-8	1	Hex Flange Nut	24	S600621	1	Spring Arbor & Key Assembly
5	S76-106	1	Hex Jam Nut	16	S82-15	10	Nyloc Nut	25	S260011	1	Sheave Assembly
6	300007	2	Snap Ring	17	S600018	1	Latch Pawl Assembly	26	600242	1	Swivel & Ell Assembly
7	260095-1	1	Main Shaft	18	S260067	1	Latch Spring	27	300070	4	Nyloc Nut
8	S35-84	1	Set Screw	19	S400012	1	Latch Bushing				

Item #	# Req.	Description	GC7535 OLP	GC7925 OLP
9	1	Garden Hose Valve	None	261447
10	1	Hose Assembly	601046-35	601044-25
11	1	Bumper Stop	600838	3-HR1004-3

	GC7535 OLP	GC7925 OLP
Hose I.D. and Length	5/8" x 35'	3/4" x 25'
Reel Inlet Connection	3/4" N.P.T.	3/4" N.P.T.
Max. Operating Pressure	200 P.S.I.	200 P.S.I.
Max. Operating Temperature	210 °F	210 °F