



16, 55 or 275 Gallon Stationary or Mobile Fluid Dispense Package

307883L

EN

For dispensing non-corrosive or non-abrasive lubricants in stationary or mobile installations. For professional use only.



Important Safety Instructions

Read all warnings and instructions in this manual and the Fire-Ball® Pump instruction manual. Save these instructions.

Models, page 2

Technical Data and Wetted Parts information for Fire-Ball Pumps used in these packages is provided in the related pump manuals:

- 248097 - 16 gallon and 55 gallon, 3:1 - Instruction Manual 309868
- 203872 - 16 gallon and 55 gallon, 5:1 - Instruction Manual 309868
- 222095, 222065 - 55 gallon 10:1 - Instruction Manual 306726
- 204254, 203857 - 55 gallon 5:1 - Instruction Manual 306518
- 222087 - 275 gallon 5:1 - Instruction Manual 306518

Models

3:1 Fire-Ball 225 Pumps - 540 psi (37 bar, 3.7 MPa) Maximum Working Pressure

Model No.	Description	Type*	CE Approved	Hose Kit	Cover	Bung Adapter
246904	16 gallon, open drum	S		✓	✓	✓
24M262		S	✓	✓	✓	✓
246906	55 gallon, open drum	S		✓	✓	✓
24M263		S	✓	✓	✓	✓
246907	55 gallon, closed drum or 275 gallon obround tank	S		✓		✓
24M264		S	✓	✓		✓

5:1 Fire-Ball 300 Pumps - 900 psi (62 bar, 6.2 MPa) Maximum Working Pressure

Model No.	Description	Type*	CE Approved	Hose Kit	Cover	Bung Adapter	Sturdi Clamp	Hold-Down Kit
225094	16 gallon, open drum	S		✓	✓			
241046		S	✓	✓	✓			
222086	16 gallon, open drum, truck mounted	M		✓	✓			✓
241050		M	✓	✓	✓			✓
225642	55 gallon, open drum	S		✓	✓			
241047		S	✓	✓	✓			
225640	55 gallon, closed drum	S		✓		✓		
241048		S	✓	✓		✓		
206655	55 gallon, closed drum, truck mounted	M		✓	✓			✓
241051		M	✓	✓	✓			✓
204264	55 gallon closed drum, truck mounted	M		✓		✓	✓	✓
241052		M	✓	✓		✓	✓	✓
225931	275 gallon obround tank	S		✓		✓		
241049		S	✓	✓		✓		









10:1 Fire-Ball 425 Pumps - 1800 (120 bar, 12.0 MPa) Maximum Working Pressure

Model No.	Description	Type*	CE Approved	Hose Kit	Cover	Bung Adapter	Sturdi Clamp	Hold-Down Kit
225782	55 gallon, open drum	S		✓	✓			
241054		S	✓	✓	✓			
225786	55 gallon, closed drum	S		✓		✓		
241055		S	✓	✓		✓		
206656	55 gallon, closed drum, truck mounted	M		✓	✓			✓
241056		M	✓	✓	✓			✓
222067	55 gallon, closed drum, truck mounted	M		✓		✓	✓	✓
241057		M	✓	✓		✓	✓	✓





*S = Stationary
M = Mobile

Warnings

The following warnings are for the setup, use, grounding, maintenance, and repair of this equipment. The exclamation point symbol alerts you to a general warning and the hazard symbols refer to procedure-specific risks. When these symbols appear in the body of this manual, refer back to these Warnings. Product-specific hazard symbols and warnings not covered in this section may appear throughout the body of this manual where applicable.

 <h2 style="margin: 0;">WARNING</h2>	
 	<p>EQUIPMENT MISUSE HAZARD</p> <p>Misuse can cause death or serious injury.</p> <ul style="list-style-type: none"> • Do not operate the unit when fatigued or under the influence of drugs or alcohol. • Do not exceed the maximum working pressure or temperature rating of the lowest rated system component. See Technical Data in all equipment manuals. • Use fluids and solvents that are compatible with equipment wetted parts. See Technical Data in all equipment manuals. Read fluid and solvent manufacturer's warnings. For complete information about your material, request MSDS from distributor or retailer. • Do not leave the work area while equipment is energized or under pressure. Turn off all equipment and follow the Pressure Relief Procedure when equipment is not in use. • Check equipment daily. Repair or replace worn or damaged parts immediately with genuine manufacturer's replacement parts only. • Do not alter or modify equipment. • Use equipment only for its intended purpose. Call your distributor for information. • Route hoses and cables away from traffic areas, sharp edges, moving parts, and hot surfaces. • Do not kink or over bend hoses or use hoses to pull equipment. • Keep children and animals away from work area. • Comply with all applicable safety regulations.
  	<p>SKIN INJECTION HAZARD</p> <p>High-pressure fluid from dispensing device, hose leaks, or ruptured components will pierce skin. This may look like just a cut, but it is a serious injury that can result in amputation. Get immediate surgical treatment.</p> <ul style="list-style-type: none"> • Do not point dispensing device at anyone or at any part of the body. • Do not put your hand over the fluid outlet. • Do not stop or deflect leaks with your hand, body, glove, or rag. • Follow the Pressure Relief Procedure when you stop dispensing and before cleaning, checking, or servicing equipment. • Tighten all fluid connections before operating the equipment. • Check hoses and couplings daily. Replace worn or damaged parts immediately.
 	<p>MOVING PARTS HAZARD</p> <p>Moving parts can pinch, cut or amputate fingers and other body parts.</p> <ul style="list-style-type: none"> • Keep clear of moving parts. • Do not operate equipment with protective guards or covers removed. • Pressurized equipment can start without warning. Before checking, moving, or servicing equipment, follow the Pressure Relief Procedure and disconnect all power sources.

WARNING

 	<p>FIRE AND EXPLOSION HAZARD</p> <p>When flammable fluids are present in the work area, such as gasoline and windshield wiper fluid, be aware that flammable fumes can ignite or explode. To help prevent fire and explosion:</p> <ul style="list-style-type: none"> • Use equipment only in well ventilated area. • Eliminate all ignition sources, such as cigarettes and portable electric lamps. • Keep work area free of debris, including rags and spilled or open containers of solvent and gasoline. • Do not plug or unplug power cords or turn lights on or off when flammable fumes are present. • Ground all equipment in the work area. • Use only grounded hoses. • If there is static sparking or you feel a shock, stop operation immediately. Do not use equipment until you identify and correct the problem. • Keep a working fire extinguisher in the work area.
	<p>TOXIC FLUID OR FUMES HAZARD</p> <p>Toxic fluids or fumes can cause serious injury or death if splashed in the eyes or on skin, inhaled, or swallowed.</p> <ul style="list-style-type: none"> • Read MSDSs to know the specific hazards of the fluids you are using. • Store hazardous fluid in approved containers, and dispose of it according to applicable guidelines.
	<p>PERSONAL PROTECTIVE EQUIPMENT</p> <p>You must wear appropriate protective equipment when operating, servicing, or when in the operating area of the equipment to help protect you from serious injury, including eye injury, hearing loss, inhalation of toxic fumes, and burns. This equipment includes but is not limited to:</p> <ul style="list-style-type: none"> • Protective eyewear, and hearing protection. • Respirators, protective clothing, and gloves as recommended by the fluid and solvent manufacturer.

Installation

- Reference number and letters in parentheses in the text refer to call outs in the figures and drawings.
- Always use genuine Graco Parts and Accessories, available from your Graco distributor.

Grounding

<p>The equipment must be grounded. Grounding reduces the risk of static and electric shock by providing an escape wire for the electrical current due to static build up or in the event of a short circuit.</p>					

Pump: use ground wire and clamp as shown in FIG. 1. Remove the ground screw (Z) and insert through the eye of the ring terminal at the end of the ground wire (Y). Fasten the ground screw back onto the pump and tighten securely. To order a ground wire and clamp order part number 222011.

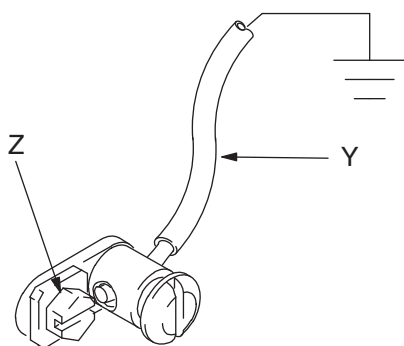


FIG. 1

Air and fluid hoses: use only electrically conductive hoses.

Air compressor: follow manufacturer’s recommendations.

Dispense valve: ground through connection to a properly grounded fluid hose and pump.

Solvent pails used when flushing: follow local code. Use only conductive metal pails, placed on a grounded surface. Do not place the pail on a nonconductive surface, such as paper or cardboard, which interrupts grounding continuity.

To maintain grounding continuity when flushing or relieving pressure: hold metal part of the dispense valve firmly to the side of a grounded metal pail, then trigger the dispense valve.

CE Identification Label (CE Marked Models Only)

To comply with CE directives, the CE identification label must be affixed to the pump near the pump identification label. Follow the label installation instructions included with the Kit. Use a permanent marker to record the installation date in the space provided and circle your part number on the label.

Part No.	Installation Date
24M262, 24M263 24M264, 24M265	
Max Air WPR	Max Fluid WPR
1.1 MPa, 10.5 bar, 150 PSI	3.7 MPa, 37 bar, 540 PSI
Graco Inc. P.O. Box 1441 Mpls, MN 55440	P/N: 16M835 rev. A

Part No.	Installation Date
241046, 241047, 241048, 241049, 241050, 241051, 241052, 241053	
Max Air WPR	Max Fluid WPR
1.1 MPa, 10.5 bar, 150 PSI	6.2 MPa, 62 bar, 900 PSI
Graco Inc. P.O. Box 1441 Mpls, MN 55440	P/N: 194228 rev. A

Part No.	Installation Date
241054, 241055, 241056, 241057	
Max Air WPR	Max Fluid WPR
1.1 MPa, 10.5 bar, 150 PSI	12.4 MPa, 124 bar, 1800 PSI
Graco Inc. P.O. Box 1441 Mpls, MN 55440	P/N: 194229 rev. A

FIG. 2

Typical Installation for Stationary Mountings

NOTE: The typical installation shown in FIG. 3 is only an installation guide; it is not an actual system design. Contact your Graco distributor for assistance in designing a system to suit your needs. See X on page X for the Mobile Mounting installation.

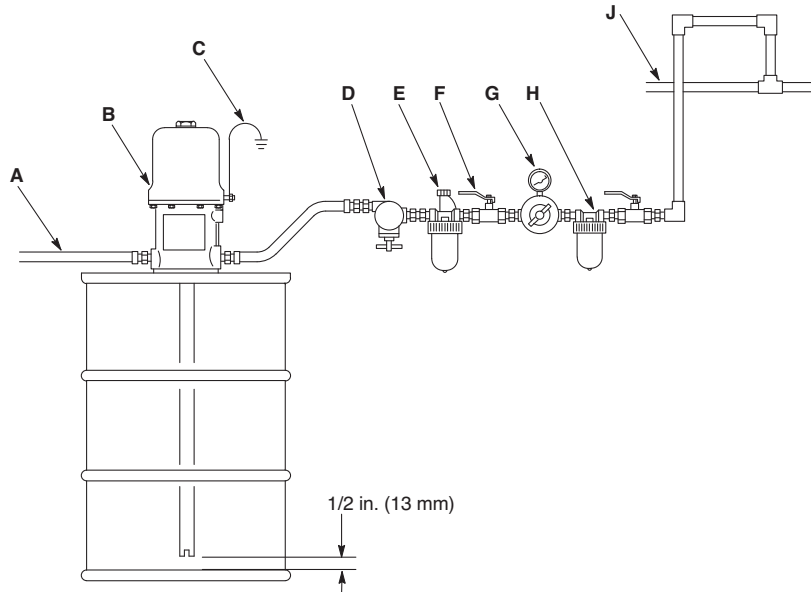


FIG. 3

- A Fluid Dispense Line
- B Pump
- C Ground Wire
- D Pump Runaway Valve
- E Air Lubricator

- F Bleed-type Master Air Valve
- G Air Regulator
- H Air Filter
- J Main Air Line

Stationary Mounting Layout

- Plan the layout for easy operator access to the pump air controls, sufficient room to change drums, and a secure platform.
- For ease in changing drums, install a pump elevator.

Open Drum, Cover Mounted Pumps

1. Remove the original drum cover.
2. Place the cover (3) on the drum and fasten it with the screws and washers provided.
3. Carefully guide the pump riser tube through the mounting gasket.

Closed Bung-Type Drum

1. Loosen the drum cover vent plug and remove the bung cover.
2. Install the pump through the bung hole until the pump foot valve is 1/2 inch (13 mm) off the drum bottom. Tighten the bung adapter.

Air Line and Accessories

NOTE: Install the air line accessories in the order shown in the Typical Installation in FIG. 2, page 5.

NOTICE

Do not hang air accessories directly on the air inlet. The fittings are not strong enough to support accessories and may cause one or more to break. Provide a bracket on which to mount accessories.

- Use thread sealant on male threads except at swivel connections.
- Install a pump runaway valve (D) to stop the pump if the fluid supply is depleted. A pump that runs too fast can be seriously damaged.
- Install a bleed-type master air valve (F) upstream from the pump air regulator (G), but within easy reach of the pump.

To order a 300 psi (21 bar, 2.1 MPa) maximum working pressure, 1/2 inch npt bleed-type master air valve, part number 107142.



A bleed-type master air valve is required in the system to help reduce the risk of serious bodily injury, including fluid injection, splashing in the eyes, and injury from moving parts when adjusting or repairing the pump. This valve relieves air trapped between the valve and the pump to prevent the pump from cycling unexpectedly.

- Install an air line lubricator (E) for automatic air motor lubrication.
- To order a 250 psi (17.5 bar, 1.75 MPa) maximum working pressure air line lubricator, order a Part Number below:
- 3/8 inch npt - 214847
 - 1/2 inch npt - 214848
- Install an air regulator (G) to control pump speed and pressure.

To order a 300 psi (21 bar, 2.1 MPa) maximum working pressure regulator, order a Part Number below:

- 3/8 inch npt - 109075
- 1/2 inch npt - 244844

- Install an air line filter (H) to remove harmful dirt and contaminants from your compressed air supply.

To order a 250 psi (17.5 bar, 1.75 MPa) maximum working pressure air filter, order a Part Number below:

- 3/8 inch npt - 106148
- 1/2 inch npt - 214849

- Install a thermal relief kit on the dispensing valve side of the pump to assist in relieving pressure in the pump, hose and dispensing valve due to heat expansion.
- To order an alternate relief kit for the 3:1 Fire-Ball 225 pumps - 540 psi (37 bar, 3.7 MPa) order Part Number 235998.
- To order a thermal relief kit for the 5:1 Fire-Ball pump - 900 psi (62 bar, 6.2 MPa) maximum working pressure order Part Number 237893.
- To order a thermal relief kit for the 10:1 Fire-Ball 425 pump - 1600 psi (110 bar, 11.0 MPa) maximum working pressure order Part Number 240429.

Installing the Hose Kit

Assemble the hose kit as shown in FIG. 4.

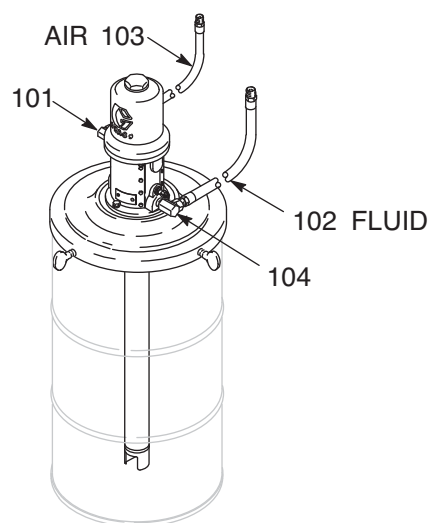


FIG. 4

Typical Installation for Mobile Mountings

NOTE: The typical installation shown in FIG. 5 is only an installation guide; it is not an actual system design. Contact your Graco distributor for assistance in designing a system to suit your needs.

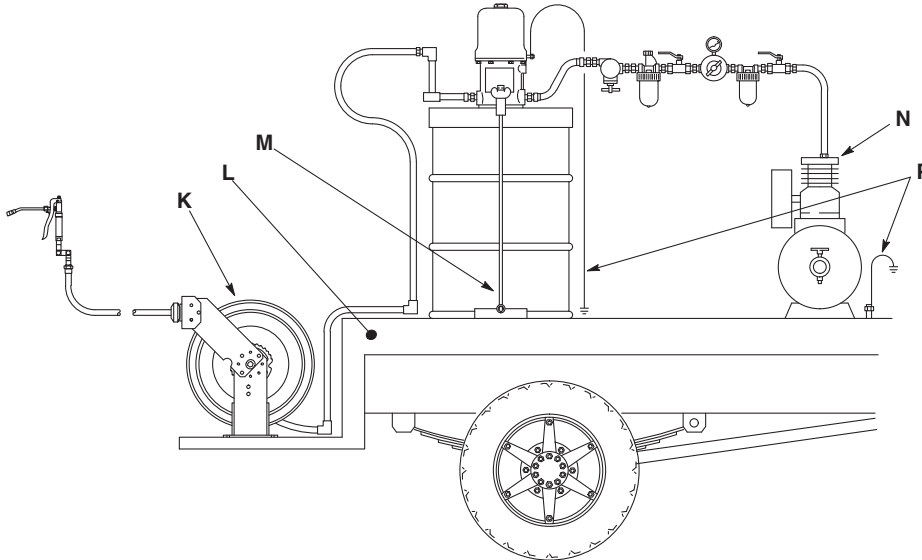


FIG. 5

- K Hose Reel
- L Truck Bed
- M Hold Down Rods
- N Compressor
- P Ground Wires

Mobile Mounting Layout

Plan the layout for easy operator access to the pump air controls, sufficient room to change drums, and a secure platform.

Drum Mounting

1. Place the drum in the desired location.
2. Place the hold-down lugs (V) or drum locators (U) around the drum base and bolt directly to the truck bed or mounting platform (see FIG. 6).

Open Drum, Cover-Mounted Pumps

1. Remove the original drum cover.
2. Mount the new drum cover and fasten.
3. Install shim (4) (if applicable for your model) on drum cover.
4. Guide the pump riser tube through the mounting hole.
5. Align the drum cover eyelets (Q) with the hold down rods (T), install the cover brackets (S) and wing nuts (R) and tighten securely (see FIG. 6).

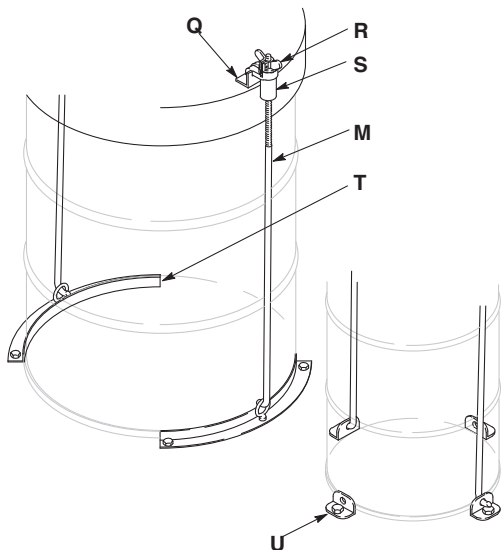


FIG. 6

- M Hold Down Rods
- Q Drum Cover Eyelets
- R Wing Nuts
- S Hold Down Brackets
- T Drum Locators
- U Hold Down Rod Lugs

Closed Bung-Type-Drum, Cover-Mounted Pumps (FIG. 7)

1. Insert the pump riser tube through the gasket (W) and drum cover (X). Fasten the Fire-Ball pump from the top side and the Fire-Ball pump from the bottom side.
2. Slide the rubber grommet (Y) tapered end down, onto the riser tube and push it up against the pump base.
3. Guide the pump riser tube through the drum bung hole (Z) and place the cover on the drum.

4. Align the drum cover eyelets (Q) with the hold down rods (T), install the cover brackets (S) and wing nuts (R) and tighten securely (see FIG. 6).

Closed Bung-Type-Drum, Sturdi-Clamp-Mounted Pumps (FIG. 8)

1. Remove the adjustable bung adapter from the pump riser tube.
2. Screw the bung adapter (EE) into the bung hole.
3. Loosen the wing nuts (BB) and slide the clamp (AA) onto the pump riser tube, up to the base.
4. Holding the clamp onto the pump, insert the pump riser tube through the bung adapter, and lower the pump until the clamp rests on the edge of the drum.
5. Install the sturdi-clamp so its upper jaw fits against the pump base projection, its u-bolts (DD) fits around the riser tube, and its lower jaw fits against the bung adapter. Tighten the wing nuts (BB).
6. Tighten the T-handle (CC) firmly to the side of the drum.

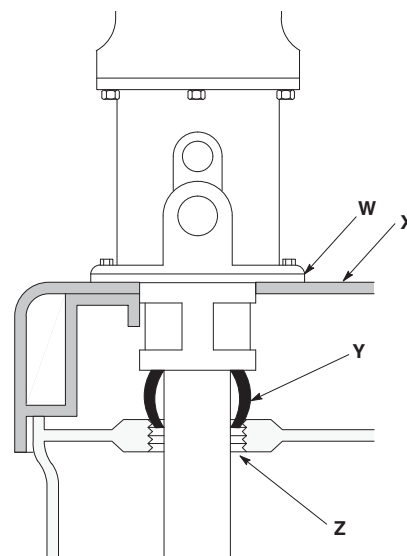


FIG. 7

- W Gasket
- X Drum Cover
- Y Grommet
- Z Bung Hole

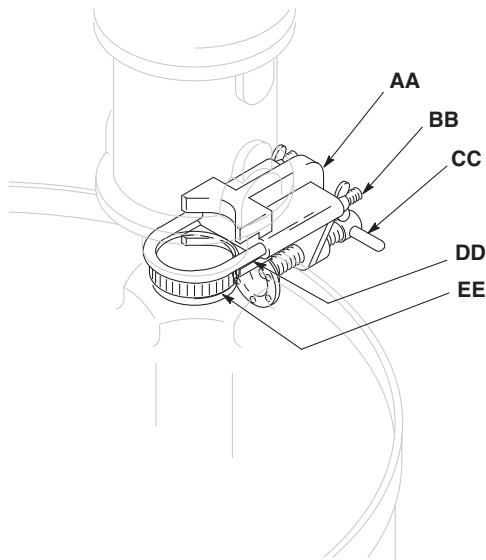


Fig. 8

- AA Clamp
- BB Wing Nut
- CC T-Handle
- DD U-Bolt
- EE Bung Adapter

Operation

Pressure Relief Procedure

<p>Trapped air can cause the pump to cycle unexpectedly, which could result in serious injury from injection, splashing or moving parts. Relieve pressure when you stop pumping and before cleaning, checking or servicing equipment.</p>						

1. Close the pump air regulator and disconnect the air supply hose.
2. Close the pump's bleed-type master air valve (required in the system).
3. Open the dispensing valve until pressure is fully relieved.

*If you suspect that the dispensing valve is clogged, or that pressure has not been fully relieved after following the steps above, **very slowly** loosen the dispensing valve coupler or hose end coupling to relieve pressure gradually, then loosen completely.*

Start-up

<p>Never exceed 180 psi (12.6, 1.2 MPa) maximum air pressure to these pumps. Using higher air pressure will cause the pump to over pressurize which may result in component rupture and cause serious bodily injury.</p>						

1. Close the air regulators and bleed-type master air valves to all but one pump.
2. Open the master air valve from the compressor.
3. For the pump that is connected trigger the dispensing valve into a grounded metal waste container making firm metal-to-metal contact between the container and the valve. Open the bleed-type master air valve and open the pump air regulator slowly, just until the pump is running. When the pump is primed and all air has been pushed out of the lines, release the trigger.
4. If you have more than one pump, repeat this process for each pump.

NOTE: When the pump is primed and with sufficient air supplied, the pump starts when the dispensing valve is opened and shuts off when closed.

5. Set the air pressure to each pump at the lowest pressure needed to get the desired results.

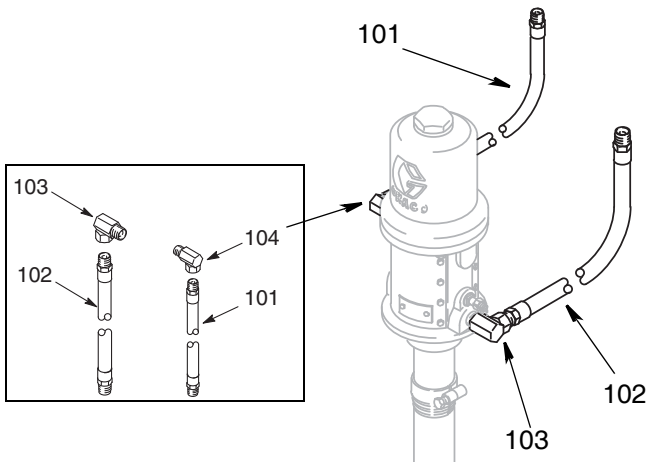
NOTICE
<p>Never allow the pump to run dry of the fluid being pumped. A dry pump will quickly accelerate to a high speed, possibly damaging itself. If your pump accelerates quickly, or is running too fast, stop it immediately and check the fluid supply. If the supply container is empty and air has been pumped into the lines, prime the pump and lines with fluid, or flush it and leave it filled with a compatible solvent. Be sure to eliminate all air from the fluid system.</p>

6. Set the air pressure to each pump at the lowest pressure needed to get adequate fluid delivery.
7. To shut off the system, always follow the **Pressure Relief Procedure**.

3:1 and 5:1 Fire-Ball

222063 Hose Kit for Fire-Ball 225 and 300 Pump

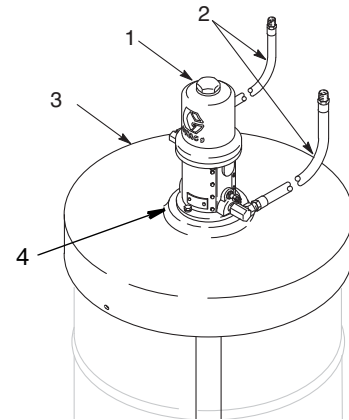
Ref.	Part No.	Description	Qty
101	203320	AIR HOSE, 3/8" ID, cpld, 3/8-14 npt (mbe), 72" (1.8 m)	1
102	220591	FLUID HOSE, 1/2" ID, cpld, 1/2-14 npt(mbe), 72" (1.8 m)	1
103	155494	UNION, 90°, 3/8-14 npt (m) x 3/8 npsm (f) swivel	1
104	155470	UNION, 90°, 1/2-14 npt (m) x 1/2 npsm (f) swivel	1



55-Gallon Open Drum

Model 246906, 24M263

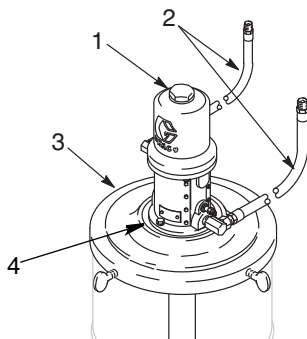
Ref.	Part No.	Description	Qty
1	248097	PUMP, 3:1 Ratio Fire-Ball; see 309868	1
2	222063	HOSE AND FITTING KIT; see Hose Kit	1
3	300326	COVER	1
NA	224512	AIR REGULATOR KIT, model 245906 (not shown)	1
	24M266	CE AIR REGULATOR KIT, model 24M263 (see page 15)	1
4	176270	SHIM	1



16-Gallon Open Drum

Model 246904, 24M262

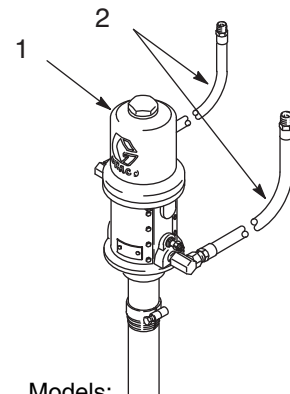
Ref.	Part No.	Description	Qty
1	248097	PUMP, 3:1 Ratio Fire-Ball; see 309868	1
2	222063	HOSE AND FITTING KIT; see Hose Kit	1
3	204574	COVER, model 24M262	1
	24R350	COVER, model 246904	1
NA	224512	AIR REGULATOR KIT, model 245904 (not shown)	1
	24M266	CE AIR REGULATOR KIT, model 24M262 (see page 15)	1
4	176270	SHIM	1



55-Gallon Closed Drum

Model 246907, 24M264

Ref.	Part No.	Description	Qty
1	248097	PUMP, 3:1 Ratio Fire-Ball; see 309868	1
2	222063	HOSE AND FITTING KIT; see Hose Kit	1
NA	24M266	CE AIR REGULATOR KIT, model 24M264 (see page 15)	1

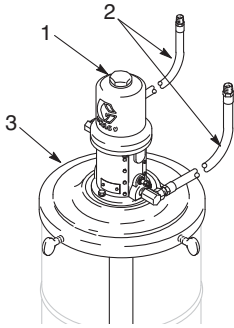


Models:
246907, 24M264

Parts 5:1 Fire-Ball 300

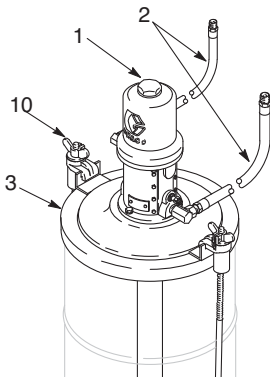
16-Gallon Open Drum Model 225094, 241046

Ref.	Part No.	Description	Qty
1	203872	PUMP, 5:1 Ratio Fire-Ball; see 309868 for parts	1
2	222063	HOSE AND FITTING KIT; see parts page 11	1
3	204574	COVER, model 241046	1
	24R350	COVER, model 225094	1
NA	224512	AIR REGULATOR KIT (not shown)	1
	241046	CE AIR REGULATOR KIT model 241046 (see page 15)	1



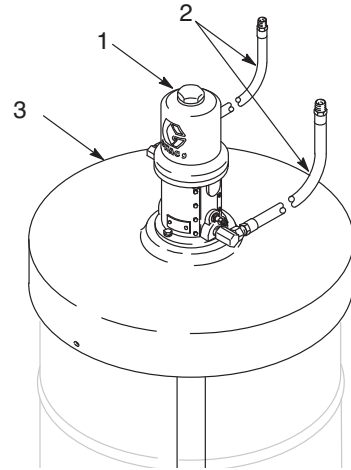
16-Gallon Open Drum Model 222086, 241050

Ref.	Part No.	Description	Qty
1	203872	PUMP, 5:1 Ratio Fire-Ball; see 309868 for parts	1
2	222063	HOSE AND FITTING KIT; see parts page 11	1
3	222060	COVER	1
10	222061	HOLD-DOWN Kit, see manual 306345 for parts	1
NA	241046	CE AIR REGULATOR KIT model 241050 (see page 15)	1



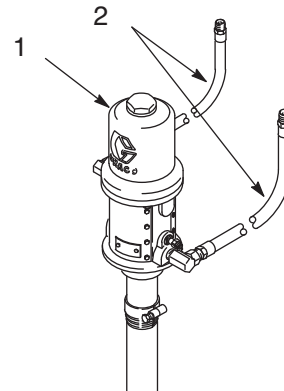
55-Gallon Open Drum Model 225642, 241047

Ref.	Part No.	Description	Qty
1	203872	PUMP, 5:1 Ratio Fire-Ball; see 309868 for parts	1
2	222063	HOSE AND FITTING KIT; see parts page 11	1
3	200326	COVER	1
NA	222061	AIR REGULATOR KIT (not shown)	1
	241046	CE AIR REGULATOR KIT model 241047 (see page 15)	1



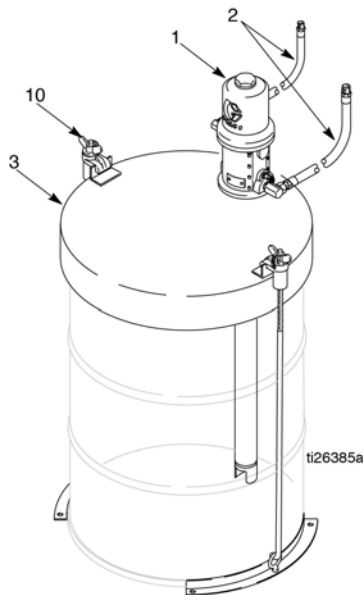
55-Gallon Closed Drum Model 225640, 241048

Ref.	Part No.	Description	Qty
1	204254	PUMP, 5:1 Ratio Fire-Ball; see 309868 for parts	1
2	222063	HOSE AND FITTING KIT; see parts page 11	1
NA	241046	CE AIR REGULATOR KIT model 241048 (see page 15)	1



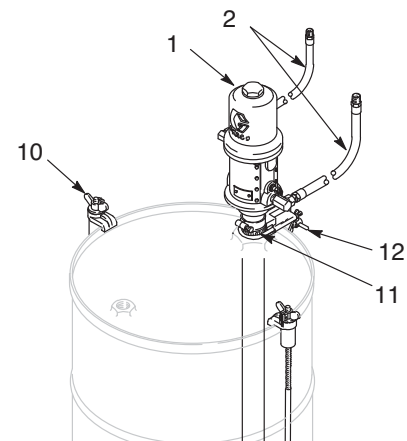
55-Gallon Open Drum
Model 206655, 241051

Ref.	Part No.	Description	Qty
1	203857	PUMP, 5:1 Ratio Fire-Ball; see 306518 for parts	1
2	222063	HOSE AND FITTING KIT; see parts, page 11	1
3	207367	COVER	1
10	207361	HOLD DOWN KIT; see 306345 for parts	1
NA	241046	CE AIR REGULATOR KIT model 241051 (see page 15)	



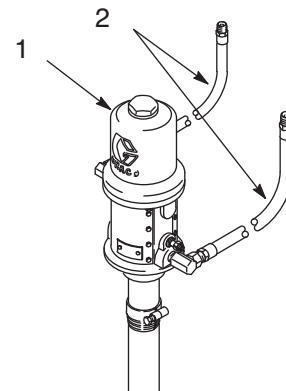
55-Gallon Closed Drum
Model 204264, 241052

Ref.	Part No.	Description	Qty
1	204254	PUMP, 5:1 Ratio Fire-Ball; see 306518 for parts	1
2	222063	HOSE AND FITTING KIT; see parts, page 11	1
10	207361	HOLD DOWN KIT; see 306345 for parts	1
11	204076	BUNG ADAPTER, sealed	1
12	204095	STURDI-CLAMP	1
NA	241046	CE AIR REGULATOR KIT model 241052 (see page 15)	



275-Gallon Obround Tank
Model 225931, 241049

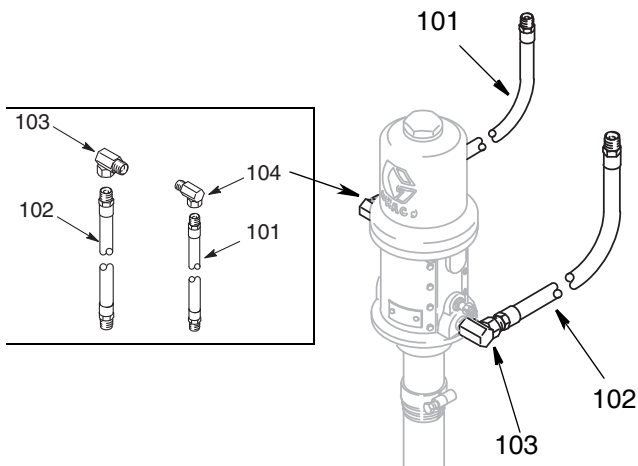
Ref.	Part No.	Description	Qty
1	222087	PUMP, 5:1 Ratio Fire-Ball; see 306518 for parts	1
2	222063	HOSE AND FITTING KIT; see parts, page 11	1
NA	241046	CE AIR REGULATOR KIT model 241049 (see page 15)	



Parts 10:1 Fire-Ball 425

222066 Hose Kit for Fire-Ball 425 Pump

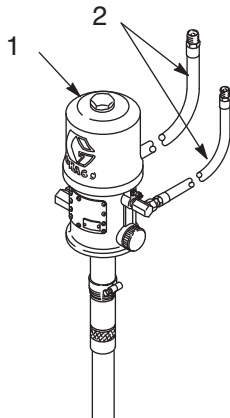
Ref.	Part No.	Description	Qty
101	205418	AIR HOSE, 1/2" ID, cpld, 1/2-14 npt (mbe), 72" (1.8 m)	1
102	209105	FLUID HOSE, 3/4" ID, cpld, 3/4-14 npt(mbe), 72" (1.8 m)	1
103	160327	UNION, 90°, 3/4-14 npt (m) x 3/4 npsm (f) swivel	1
104	155470	UNION, 90°, 1/2-14 npt (m) x 1/2 npsm (f) swivel	1



55-Gallon Closed Drum

Model 225786, 241055

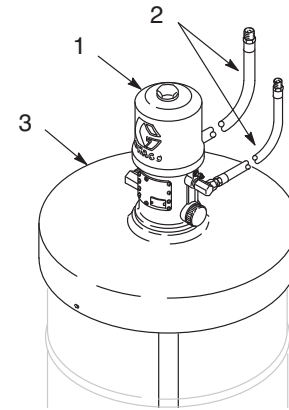
Ref.	Part No.	Description	Qty
1	222095	PUMP, 10:1 Ratio Fire-Ball; see 306726 for parts	1
2	222066	HOSE AND FITTING KIT; see parts above	1
NA	241170	CE KIT, model 241055 (see page 15)	1



55-Gallon Open Drum

Model 225782, 241054

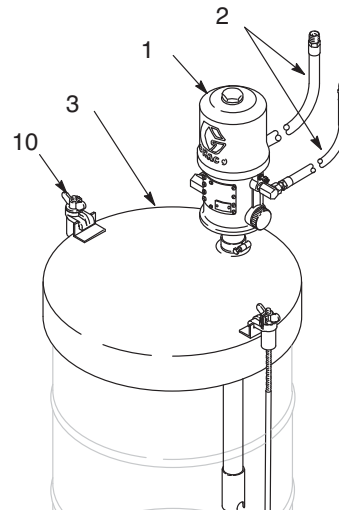
Ref.	Part No.	Description	Qty
1	222065	PUMP, 10:1 Ratio Fire-Ball; see 306726 for parts	1
2	222066	HOSE AND FITTING KIT; see parts above	1
3	300326	COVER	1
NA	241170	CE KIT, model 241054 (see page 15)	1



55-Gallon Closed Drum

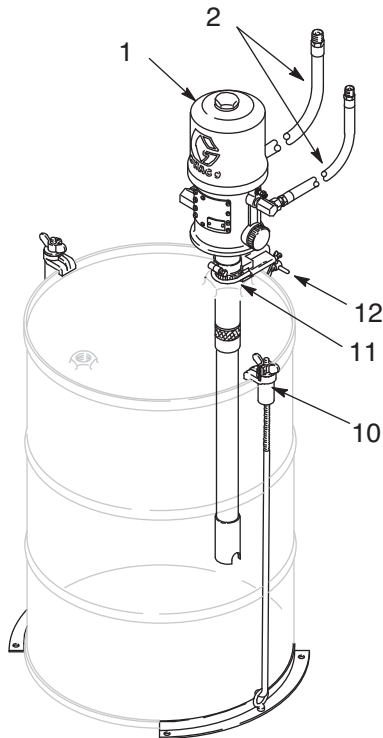
Model 206656, 241056

Ref.	Part No.	Description	Qty
1	222065	PUMP, 10:1 Ratio Fire-Ball; see 306726 for parts	1
2	222066	HOSE AND FITTING KIT; see parts above	1
3	207367	COVER	1
10	207361	HOLD-DOWN KIT, see manual 305345 for parts	1
NA	241170	CE KIT, model 241056 (see page 15)	1



55-Gallon Closed Drum
Model 222067, 241057

Ref.	Part No.	Description	Qty
1	222095	PUMP, 10:1 Ratio Fire-Ball; see 306726 for parts	1
2	222066	HOSE AND FITTING KIT; see parts, page 14	1
10	207361	HOLD-DOWN KIT	1
11	224579	BUNG ADAPTER, sealed	1
12	204095	STURDI-CLAMP	1
NA	241170	CE KIT, model 241057	1

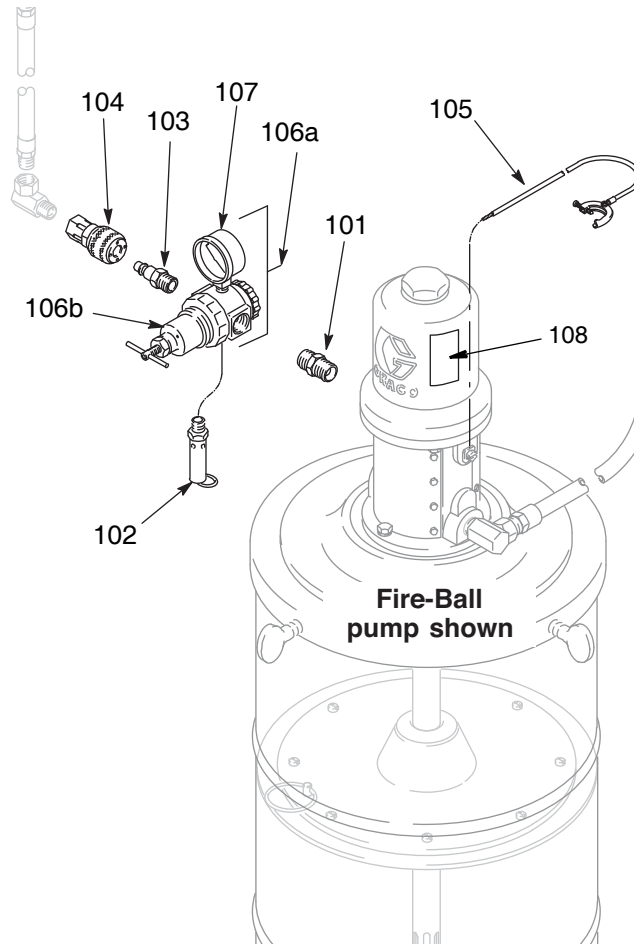


CE Installation Kits

Models: 24M262, 24M263, 24M264, 24M266, 24M269, 241170, 241046, 241047, 241048, 241049, 241050, 241051, 241052, 241054, 241055, 241056, 241057

See CE Label Installation instructions, page 5.

Ref. No.	Part No.	Description	Qty.
101		NIPPLE, pipe	
	156849	• Kit 24M266, 241169	1
	158491	• Kit 241170	1
102	113286	VALVE, safety, 150 psi (0.7 MPA, 7.0 bar) All Kits	1
103		FITTING, line	
	169971	• Kit 24M266, 241169	1
	110196	• Kit 241170	1
104		COUPLER, line	
	110198	• Kit 24M266, 241169	1
	110199	• Kit 241170	1
105	222011	CLAMP 241169, 241170	1
106a	109075	REGULATOR, air, with gauge Kits 24M266, 241169	1
106b	104266	REGULATOR, air Kit 241170	1
107	100960	GAUGE, air pressure Kit 241170	1
108		LABEL, CE, All Kits	1



Graco Standard Warranty

Graco warrants all equipment referenced in this document which is manufactured by Graco and bearing its name to be free from defects in material and workmanship on the date of sale to the original purchaser for use. With the exception of any special, extended, or limited warranty published by Graco, Graco will, for a period of twelve months from the date of sale, repair or replace any part of the equipment determined by Graco to be defective. This warranty applies only when the equipment is installed, operated and maintained in accordance with Graco's written recommendations.

This warranty does not cover, and Graco shall not be liable for general wear and tear, or any malfunction, damage or wear caused by faulty installation, misapplication, abrasion, corrosion, inadequate or improper maintenance, negligence, accident, tampering, or substitution of non-Graco component parts. Nor shall Graco be liable for malfunction, damage or wear caused by the incompatibility of Graco equipment with structures, accessories, equipment or materials not supplied by Graco, or the improper design, manufacture, installation, operation or maintenance of structures, accessories, equipment or materials not supplied by Graco.

This warranty is conditioned upon the prepaid return of the equipment claimed to be defective to an authorized Graco distributor for verification of the claimed defect. If the claimed defect is verified, Graco will repair or replace free of charge any defective parts. The equipment will be returned to the original purchaser transportation prepaid. If inspection of the equipment does not disclose any defect in material or workmanship, repairs will be made at a reasonable charge, which charges may include the costs of parts, labor, and transportation.

THIS WARRANTY IS EXCLUSIVE, AND IS IN LIEU OF ANY OTHER WARRANTIES, EXPRESS OR IMPLIED, INCLUDING BUT NOT LIMITED TO WARRANTY OF MERCHANTABILITY OR WARRANTY OF FITNESS FOR A PARTICULAR PURPOSE.

Graco's sole obligation and buyer's sole remedy for any breach of warranty shall be as set forth above. The buyer agrees that no other remedy (including, but not limited to, incidental or consequential damages for lost profits, lost sales, injury to person or property, or any other incidental or consequential loss) shall be available. Any action for breach of warranty must be brought within two (2) years of the date of sale.

GRACO MAKES NO WARRANTY, AND DISCLAIMS ALL IMPLIED WARRANTIES OF MERCHANTABILITY AND FITNESS FOR A PARTICULAR PURPOSE, IN CONNECTION WITH ACCESSORIES, EQUIPMENT, MATERIALS OR COMPONENTS SOLD BUT NOT MANUFACTURED BY GRACO. These items sold, but not manufactured by Graco (such as electric motors, switches, hose, etc.), are subject to the warranty, if any, of their manufacturer. Graco will provide purchaser with reasonable assistance in making any claim for breach of these warranties.

In no event will Graco be liable for indirect, incidental, special or consequential damages resulting from Graco supplying equipment hereunder, or the furnishing, performance, or use of any products or other goods sold hereto, whether due to a breach of contract, breach of warranty, the negligence of Graco, or otherwise.

FOR GRACO CANADA CUSTOMERS

The Parties acknowledge that they have required that the present document, as well as all documents, notices and legal proceedings entered into, given or instituted pursuant hereto or relating directly or indirectly hereto, be drawn up in English. Les parties reconnaissent avoir convenu que la rédaction du présente document sera en Anglais, ainsi que tous documents, avis et procédures judiciaires exécutés, donnés ou intentés, à la suite de ou en rapport, directement ou indirectement, avec les procédures concernées.

Graco Information

For the latest information about Graco products, visit www.graco.com.

TO PLACE AN ORDER, contact your Graco distributor or call to identify the nearest distributor.

Phone: 612-623-6921 **or Toll Free:** 1-800-328-0211 **Fax:** 612-378-3505

*All written and visual data contained in this document reflects the latest product information available at the time of publication.
Graco reserves the right to make changes at any time without notice.*

Original instructions. This manual contains English. MM 307883
For Patent information see: www.graco.com/patents

Graco Headquarters: Minneapolis
International Offices: Belgium, China, Japan, Korea

GRACO INC. AND SUBSIDIARIES • P.O. BOX 1441 • MINNEAPOLIS MN 55440-1441 • USA

Copyright 1995, Graco Inc. All Graco manufacturing locations are registered to ISO 9001.

www.graco.com
Revised April 2015