

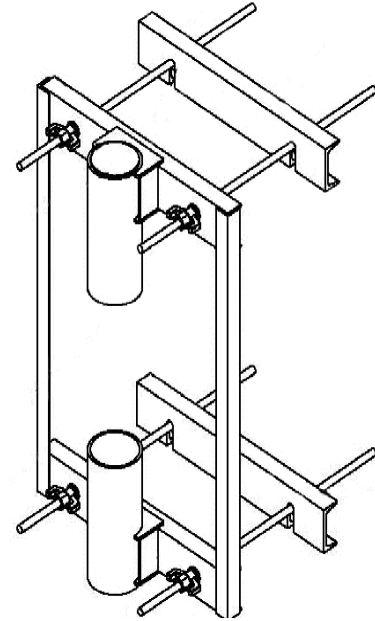
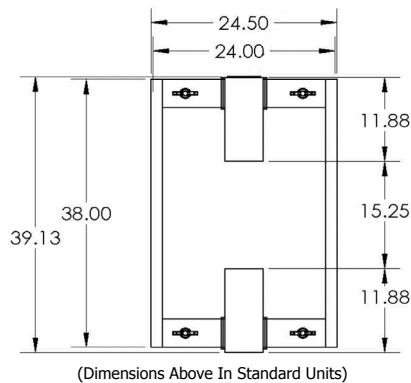


fspusafallprotection.com | (P) 704-262-7893 | (F) 704-262-9051
322 Industrial Court, Concord, NC 28025

TECHNICAL DATA SHEET

SAFE**LINK**

FS-EX2502-DBL SafeLink EZ-Link Double Connector



Description EZ-Link Double Connector for use with the SafeLink Horizontal Lifeline System. Attaches directly to rebar cage (6 #9 rebar or larger). Vertical post receptacle. All associated materials must be rated to meet OSHA, federal, state and local government regulations for fall protection anchor points.

See SafeLink User Manual for installation instructions.

****Visually Inspect The Unit Before Installation****

Consists of 1 frame, 2 brackets, 4 threaded rebar connectors, 8 wing nuts

Length/Height/Width See Chart Above

Material 6061-T6511 Aluminum

Working Load 310 lbs/person; Up to 4-person SafeLink System

Minimum Tensile Strength 5,000 lbs (2267.96 kg)

Weight 58 lbs (26.31 kg)

Applicable Standards Meets OSHA 1926-502, ANSI Z359.1-2007, ANSI A10.32 2012